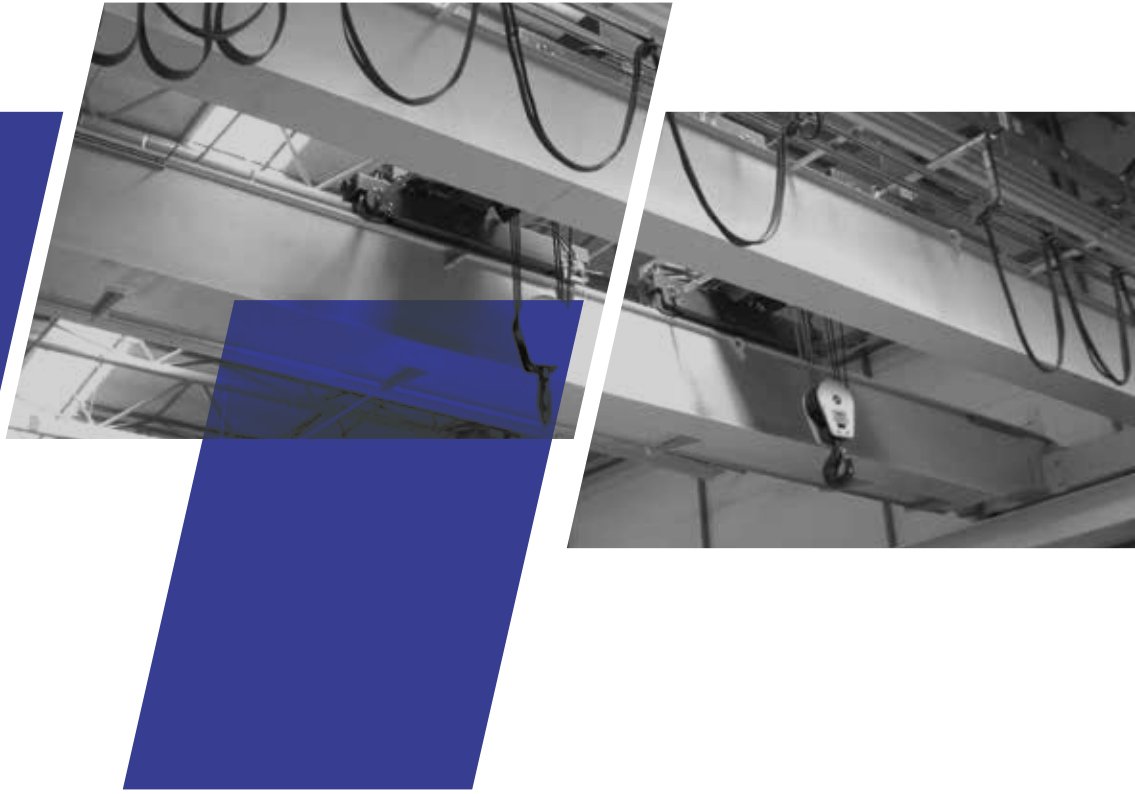




**SRP CRANE CONTROLS (INDIA) PVT. LTD.**



---

Industrial **CRANE**  
**CONTROL** Equipments

---

[www.srpcranecontrols.in](http://www.srpcranecontrols.in)

# About Company

At **SRP CRANE CONTROLS (INDIA) PRIVATE LIMITED**, we specialize in designing and manufacturing high-quality industrial crane control solutions, offering an extensive range of over 300+ products. Our lineup includes Wireless Radio Remotes, Pendant Stations, Flat and Round Cables, Current Collectors, Cable Trolleys, C-Rail Festoon Systems, DSL Busbar Systems, Limit Switches, Foot Switches and many more.

What truly sets us apart is our unwavering commitment to quality, innovation, and customer satisfaction. We have earned prestigious certifications like MSME-ZED Gold, TÜV SÜD ISO 9001:2015, D-U-N-S, ISO 14001:2015, ISO 45001:2018, and ISO 50001:2011, ensuring that our products meet global safety and performance standards.

With a dedicated team of over 230+ skilled engineers and technicians, we continuously push the boundaries of technology and reliability in crane control solutions. At SRP, we don't just build products we create solutions that empower industries, enhance safety, and drive efficiency.



Supported By

i-Hub

nasscom



**We Don't Just Dream,  
We Make It Happen**

# Our Sectors



Power Plant



Automotive Industry



Ports



Crane Industry



Aerospace Industry



Defence Sector

# Our Affiliations





# Bolt Joint Busbar

(W Type) 4.5 Mtr. Long

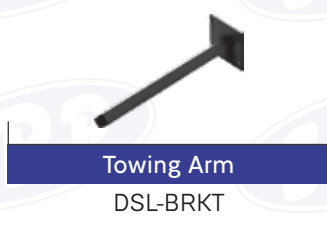
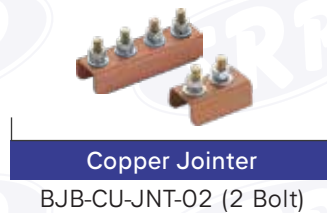


Busbar System	Galvanized			Copper			Aluminium / SS	
	60	100	125	160	250	400	200	315
Product Code	BJB-GI-100		BJB-GI-125	BJB-CU-160	BJB-CU-250	BJB-CU-400	BJB-AL-200	BJB-AL-315

**Features:**

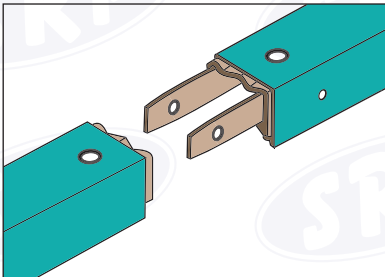
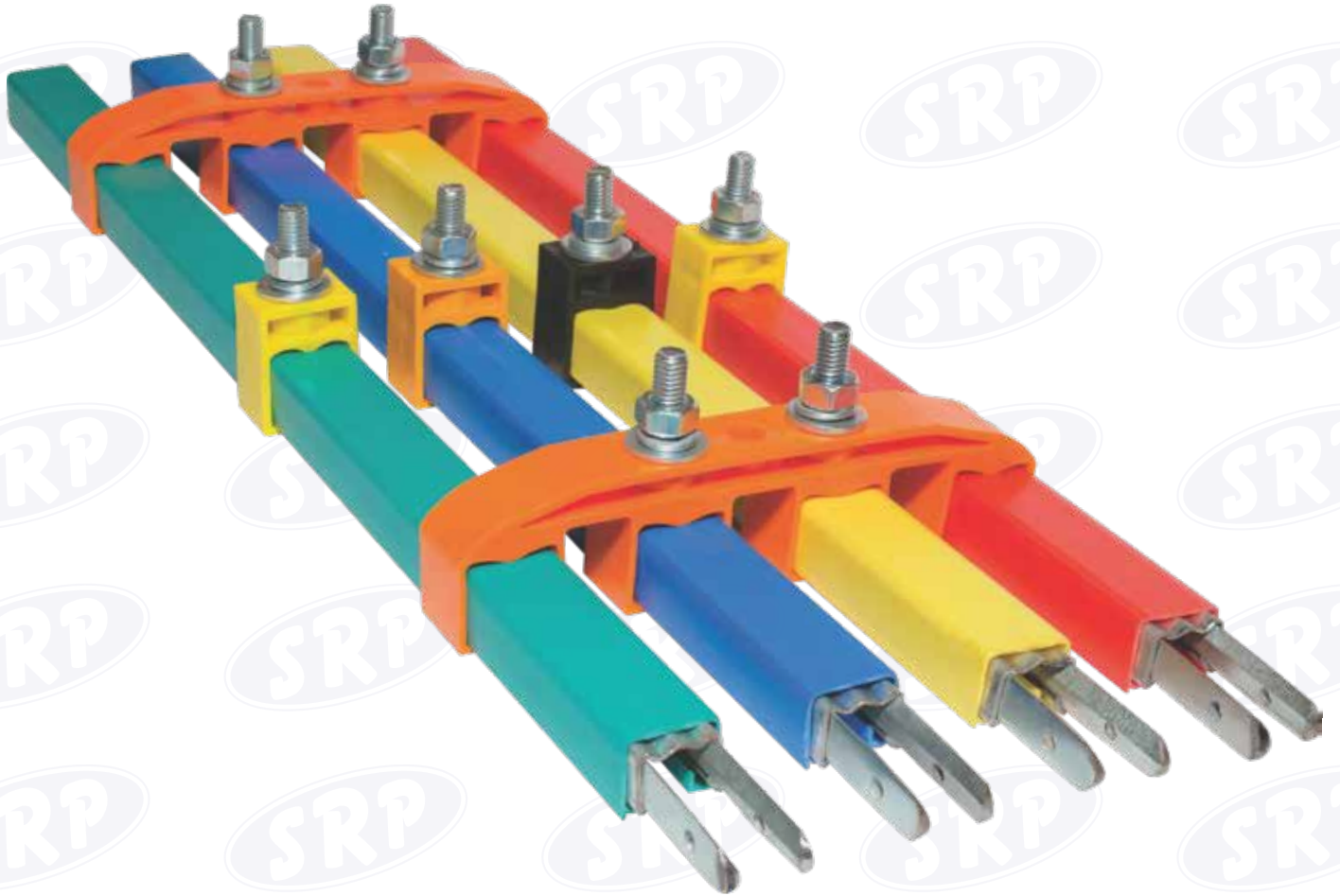
- ◆ IP21 rated
- ◆ Touch proof & no exposed part
- ◆ Suitable for indoor and outdoor installation
- ◆ Single pole individual conductor
- ◆ Curved path available
- ◆ Expansion Joint can be provided
- ◆ Individual Accessories parts available

Technical Data For W Type BOLTED JOINT Conductor System								
Conductor Bar System	Galvanized Steel			Copper			Aluminium / SS	
Nominal Current (A) At 100% Duty and 35° C	60	100	125	160	250	400	200	315
Product Code	BJB-GI-100		BJB-GI-125	BJB-CU-160	BJB-CU-250	BJB-CU-400	BJB-AL-200	BJB-AL-315
DC resistance(^/M) At+35° C	0.003584	0.002867	0.001933	0.000342	0.000274	0.000184	0.000301	0.000261
Impedance(^/M) At+35° C	0.003604	0.002891	0.001968	0.000364	0.000300	0.000221	0.000325	0.000288
Voltage Grade [V]	600							
Support Spacing [mm]	1125							
Bar Length [mm]	4500							
Outside Dimensions [mm]	23x27							
Permissible Ambient Temperature	-30 C + 55 C (Standard Insulation) -30 C + 85 C (High Temperature Insulation)							



# Pin Joint Busbar

(M Type) 4 Mtr. Long



Conductor Busbar System	Galvanized	Copper		
Current(A)	125 Amp	160 Amp	250 Amp	315 Amp
Product Code	RJB-GI-125	RJB-CU-160	RJB-CU-250	RJB-CU-315

**Features:**

- ◆ IP20 rated
- ◆ No exposed part Shrouded
- ◆ Suitable for indoor and outdoor installation
- ◆ Single pole individual conductor
- ◆ M type conductor Bar length 4 Mtr.
- ◆ Expansion Joint can be provided
- ◆ Individual Accessories parts available

**Technical Data For M Type PIN JOINT Conductor System**

Conductor Bar System	Galvanized Steel		Copper		
Nominal Current (A) At 100% Duty and 35°C	100	125	160	250	315
Product Code	PNJ-GI-100	PNJ-GI-125	PNJ-CU-160	PNJ-CU-250	PNJ-CU-315
Cross Sectional Area (sq mm)	45	50	50	50	63
DC Resistance (milli Ohms/M @ 35°C)	0.00286	0.00193	0.00193	0.00247	0.333
Impedance (milli Ohms/M @ 35°C)	0.00289	0.00196	0.00196	0.0003	0.335
Support spacing [mm]	1000	1125	1125	1125	1125
Ambient Temperature Range (°C)	-30 to +85				
Bar Length (mm)	4500				
Protection Class (Finger Safe)	IP20				



**4 Pole Hanger (M Type)**

RJB-4P-H



**3 Pole Hanger (M Type)**

RJB-3P-H



**1 Pole Hanger (M Type)**

RJB-1P-H



**Joint Cover**

RJB-JC



**End Power Feed**

RJB-EPF



**End Cap**

DSL-EC



**Double Towing Arm**

RJB-DTA



**Towing Arm**

RJB-TA



**Mounting Angle**

DSL-400-MA (400mm)  
DSL-500-MA (500mm)

DSL-550-MA (550mm)  
DSL-600-MA (600mm)



**Central Power Feed Kit**

RJB-CPF



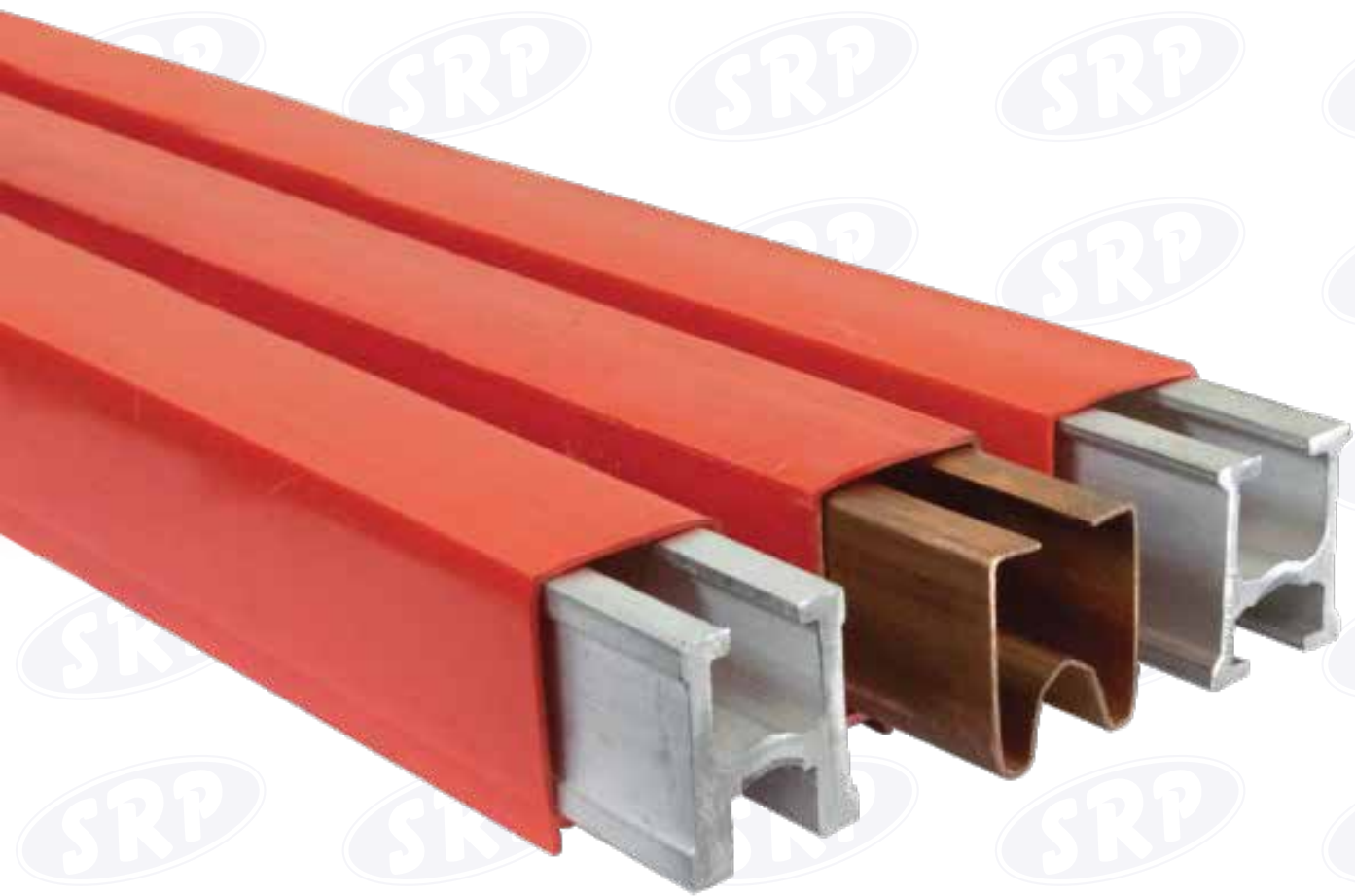
**Jointing Tool**

RJB-JT



# Heavy Duty DSL Busbar System








(V Type) 4.5 Mtr. Long





**Features:**

- ◆ Multi conductor
- ◆ Working voltage upto 600v
- ◆ Working temperature from -30 to 55 (degree centigrade)
- ◆ Degree of protection : IP20 (without rubber sealing) IP23 (with rubber sealing)
- ◆ It is very easy to change a track already assembled without moving the rest of them

Shrouded Conductor Technical Data Sheet							
Nominal Current (A) At 100% Duty and 35o C	500A	800A	1000A	500A	800A	1000A	1200A
Material	Aluminium With SS Strip			Copper			
Product Code	VTB-AL-500	VTB-AL-800	VTB-AL-1000	VTB-CU-500	VTB-CU-800	VTB-CU-1000	VTB-CU-1200
Impedance milli Ohms/M+35°C	0.158	0.145	0.138	0.162	0.137	0.128	0.128
DC resistance milli Ohms/M+35°C	0.098	0.075	0.052	0.106	0.059	0.035	0.035
Standard Conductor Length	4 Mtr.	4 Mtr.	4 Mtr.	4.5 Mtr.	4.5 Mtr.	4.5 Mtr.	4.5 Mtr.
Conductor Joint	BOLTED	BOLTED	BOLTED	BOLTED	BOLTED	BOLTED	BOLTED
Conductor Rating at 100% +35°C	500A	800A	1000A	500A	800A	1000A	1200A



**1 Pole Hanger**  
VTB-1P-H



**Aluminium Joiner**  
VTB-AL-JNT



**Copper Joiner**  
VTB-CU-JNT



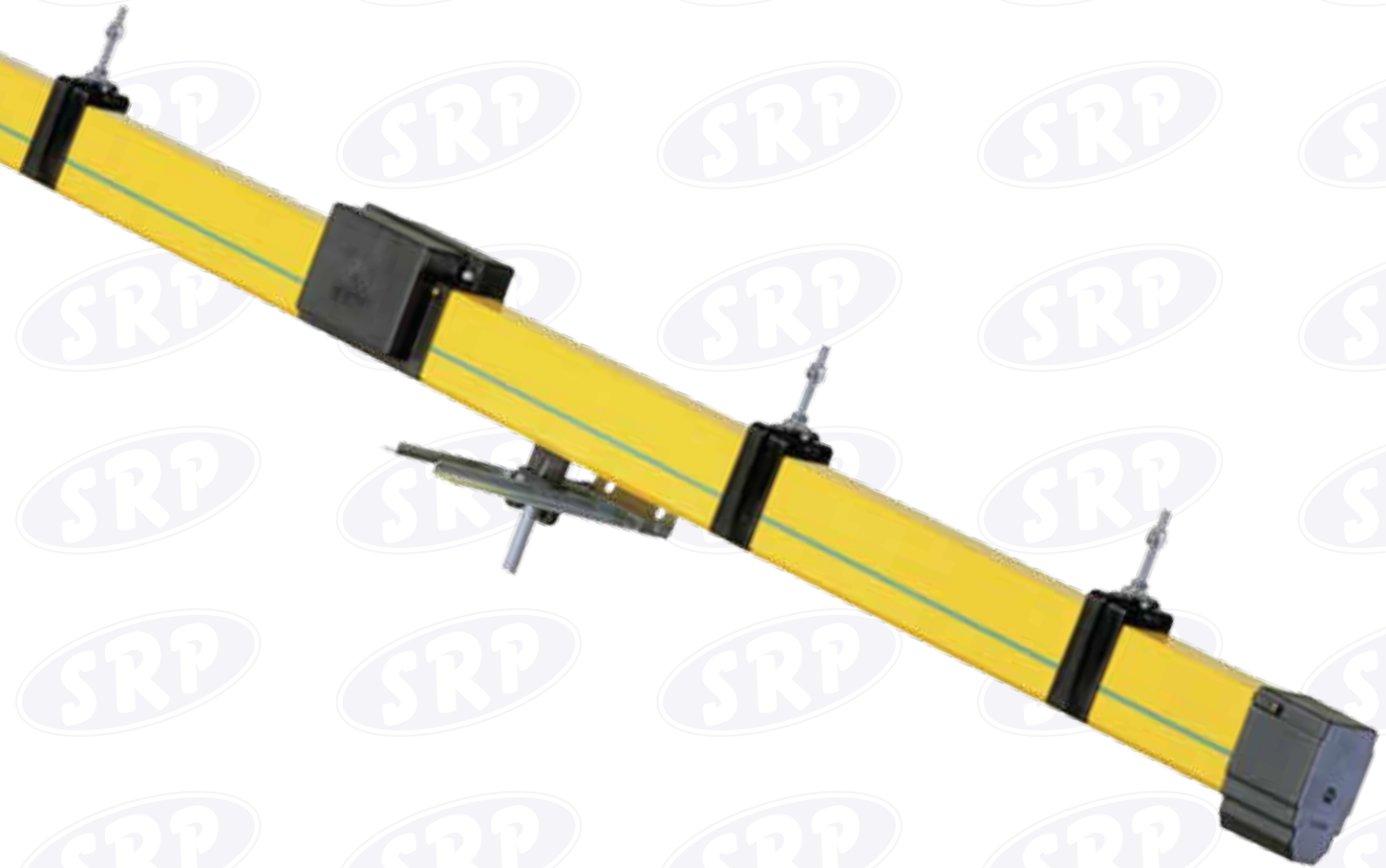
**End Cap**  
VTB-EC



**Joint Cover**  
VTB-JC

# Box Type DSL Busbar System

(100-315 Amps) 4 Mtr. Long



**Features:**

- ◆ Multi conductor
- ◆ Common housing
- ◆ Working temperature from -30 to 55°C
- ◆ 40, 60, 80, 100, 140, 200 amps are available
- ◆ Degree of protection : IP20 (without rubber sealing) IP23 (with rubber sealing)
- ◆ It is very easy to change a track already assembled without moving the rest of them

Conductor Rating +35°C cdf 100%	40A	60A	70A	100A	140A	200A
Impedence milli Ohms/M+35°C	17.9	11.38	11.01	7.87	5.55	3.67
DC resistance milli Ohms/M+35°C	17	11.33	10.96	7.83	5.43	3.65
Copper Strip Section (mm)	10	15	15.5	21.7	31	46.5



Joint Cover (Jointless)



Joint Cover (Joint Type)



Hanger Clamp



End Power Feed



End Cap



Center Power Feed Kit



25A Current Collector



35A Current Collector



70A Current Collector



Towing Arm



Towing Arm Bracket

# C Rail Festoon System



C Rail







30x30 mm	CRS-30-9000
40x40 mm	CRS-40-9000

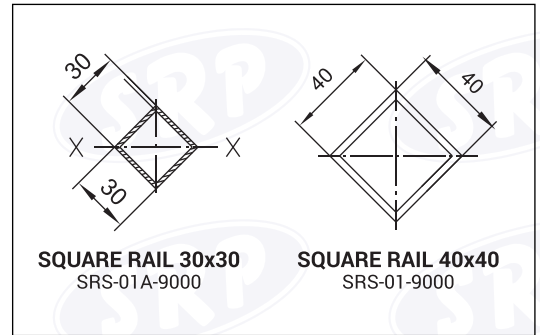
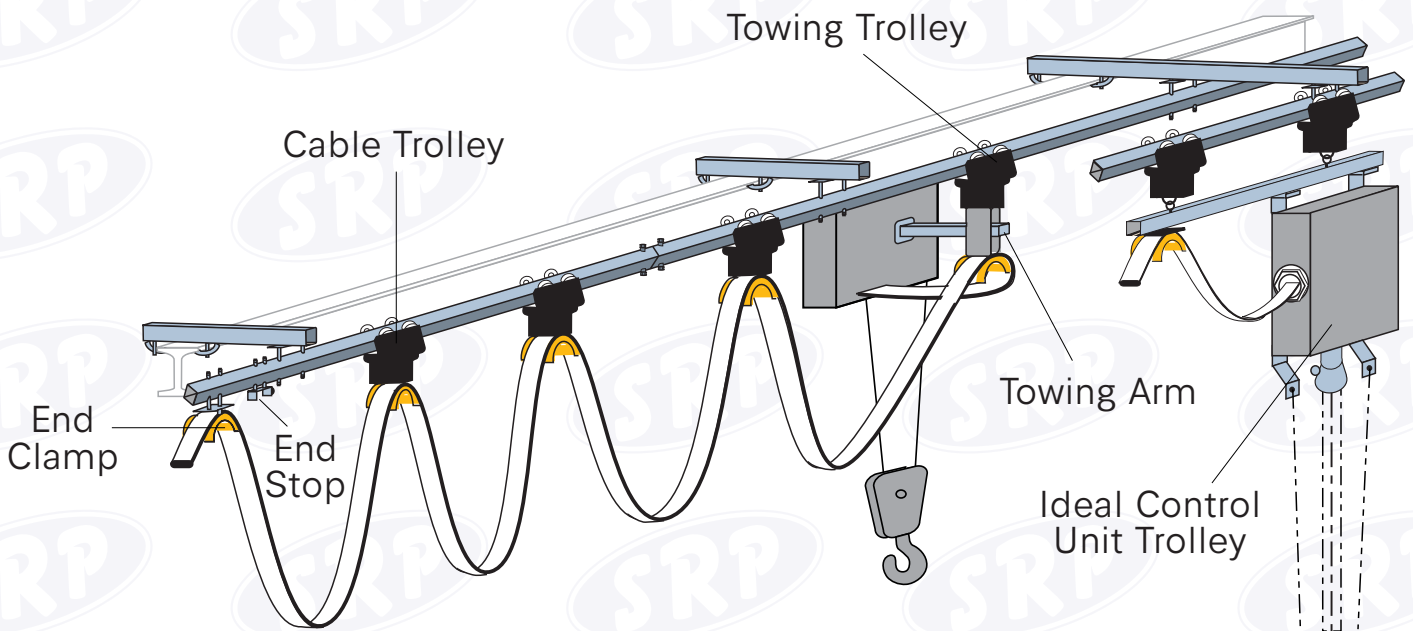


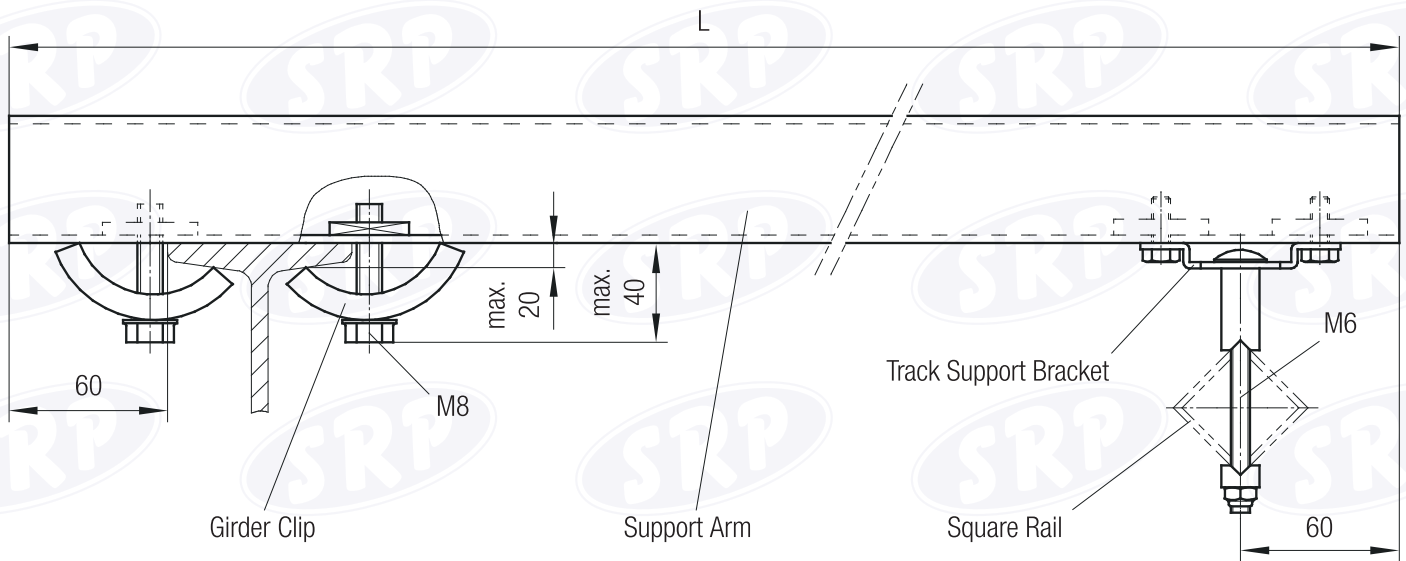
**Features:**

- ◆ Light Weighted
- ◆ Less Friction & Smooth Motion
- ◆ Simple & Safe Installation
- ◆ Cable lifespan is increased by eliminating unnecessary twists and turns.

30x30 MM				
	<b>Hanger Clamp</b> CRS-30-HC	<b>Coupler / Jointer</b> CRS-30-TC	<b>Coupler 2 Piece</b> CRS-30-TC-02	<b>Cable Trolley</b> CRS-30-CT-01
				
	<b>Powder Coated Cable Trolley</b> CRS-30-ET-02	<b>Plastic Trolley With Bearing</b> CRS-30-CT-03	<b>Fully Plastic Cable Trolley</b> CRS-30-PCT	<b>Towing Trolley</b> CRS-30-TT
				
<b>Starting / Fixed Trolley</b> CRS-30-FT	<b>End Clamp</b> CRS-30-EC	<b>Clipe Type Hanger Clip</b> CRS-30-HC-02	<b>Girder Clamp</b> CRS-30-GC	
				
<b>Plug &amp; Socket Trolley</b> CRS-30-PST-16 (16 Pin) CRS-30-PST-24 (24 Pin)				
40x40 MM				
	<b>Hanger Clamp</b> CRS-40-HC	<b>Coupler / Jointer</b> CRS-40-TC	<b>C Rail Cable Trolley</b> CRS-40-CT	<b>Towing Trolley</b> CRS-40-TT
				
<b>Starting / Fixed Trolley</b> CRS-40-FT	<b>End Clamp</b> CRS-40-EC			

# Square Rails Festoon System





**Track Coupler/Joiner NEW**  
SRS-40-TC-N



**End Stop NEW**  
SRS-40-ES-N



**Hanger Clamp NEW**  
SRS-40-HC-N



**Starting Trolley NEW**  
SRS-40-ST-N



**Cable Trolley NEW**  
SRS-40-CT-N



**Master Trolley NEW**  
SRS-40-MT-N



**Track Coupler / Joiner**  
SRS-40-TC



**Hanger Clamp**  
SRS-40-HC



**End Stop**  
SRS-40-ES



**End Trolley**  
SRS-40-ET



**Cable Trolley**  
SRS-40-CT



**Towing Trolley**  
SRS-40-TA



**End Cap**  
SRS-40-EC



**Girder Clamp**  
SRS-40-GC



**Drilling Jig**  
SRS-40-DJ



**Towing Arm**  
SRS-40-TA

# Current Collector For EOT Crane



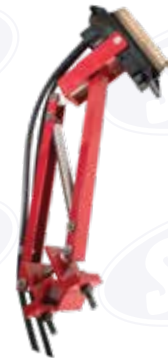
**SRP CC-01**

Current Collector (125 Amps)  
CC-125



**SRP CC-03**

Current Collector (250 Amps)  
CC-250



**SRP CC-04**

Current Collector (400 Amps)  
CC-04-9000



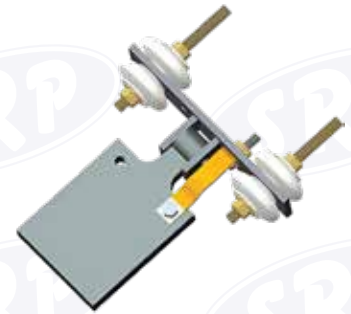
**SRP CC-05**

Double Row Current Collector  
CC-05-9000



**SRP CC-06**

CC - Moulded Type Shoes (60 Amps)  
CC-06-9000



**SRP CC-07**

Gravity Current Collector  
CC-07-9000



Copper Shoe Holder With  
Stud (New - 125 amp)

CSHS-125-N



Copper Shoe Holder  
(New - 125 amp)

CSH-125-N



Copper Shoe Holder With  
Stud (Old - 125 amp)

CSHS-125



Shoe Holder &  
Bracket (Old - 125 amp)

CC-H



Copper Shoe & Shoe  
Bracket (Old- 125 amp)

CC-CS



Copper Shoe Holder with  
Stud - 250 amp

CSHS-250



## Crane Insulator



Product Code	<b>SRP-CI-55</b>
Material	Epoxy
Size	55mm
Surface Treatment	Color Coated
Flame Retardance	Yes
Minimum Order Quantity	500 Piece

## Single Phase Pendant



### (SPP-2A)

Used in Chain Hoist

- ◆ 2 Push Buttons with Mechanical Interlock+ Emergency Stop (2+1)
- ◆ Comfortable grip and easy-to-reach buttons.
- ◆ Resistant to impact, drops, and vibrations.
- ◆ Optimized for ease of use in all weather conditions.
- ◆ Customizable to meet specific application requirements.

## Metal Pendant Station



### (MPS-01)

- ◆ Single and Dual Speed Operation
- ◆ Resistant to impact, corrosion, and extreme temperatures.
- ◆ Ideal for harsh industrial environments.
- ◆ Two Directions Mechanically Interlock in pair Buttons.
- ◆ Constructed from high-grade metal for superior strength and durability.
- ◆ Customization available from 4 buttons to 24 buttons and more.

## Rubber Buffer



RBF-50  
50 mm

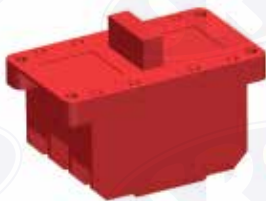


RBF-100  
100 mm



RBF-150  
150 mm

# Crane Pendant Push Button Stations



**Emergency Contact Switch**  
NC Contact Element  
PS-ECE



**Single Speed Contact Switch**  
NO Contact Element  
PS-SCE



**Double Speed Contact Switch**  
NO + NO Contact Element  
PS-DCE

<b>Material</b>	Acrylonitrile Butadiene Styrene (ABS)
<b>IP rating</b>	IP65
<b>Temperature range</b>	-20°C . +60°C (without lighting functions) -20°C . +50°C (with lighting functions)
<b>Mechanical endurance of the push buttons</b>	Head: 8 million operations Contact block: 3 million operations
<b>Cable entry</b>	For cable Ø 10 to Ø 22 mm
<b>Customized solution</b>	On request

## Single Speed Pendant Station

SRP PS-S2  
(2+1) Pendant Station



SRP PS-S4  
(4+1) Pendant Station



SRP PS-S6A  
(6+1) Pendant Station



SRP PS-S6B  
(6+2) Pendant Station



SRP PS-S8B  
(8+2) Pendant Station



## Double Speed Pendant Station

SRP PS-D2  
(2+1) Pendant Station



SRP PS-D4  
(4+1) Pendant Station



SRP PS-D6A  
(6+1) Pendant Station



SRP PS-D6B  
(6+2) Pendant Station



SRP PS-D8B  
(8+2) Pendant Station



## Wireless Radio Remote Control

- ◆ 1 year Mfg. Warranty
- ◆ 100% in house production
- ◆ Easily Repairable anytime, thanks to our in house PCB Manufacturing
- ◆ Range of up to 150 meters
- ◆ IP65 Water resistance upto 50 meters
- ◆ Preplanned pick up and drop (pre-planned fix position of crane at various place)
- ◆ You can also operate 2 or more crane from remote (transmitter)

# ROBUSTRONIC

## SERIES



6+2 Single Speed  
**RT6S**



6+2 Double Speed  
**RT6D**



10+2 Single Speed  
**RT10S**



10+2 Double Speed  
**RT10D**



## Wireless Radio Remote Control

- ◆ Support for various modulation schemes (2-FSK, GFSK, MSK)
- ◆ Low power consumption (14 mA RX, 7-22 mA TX)
- ◆ Data rate up to 600 kbps
- ◆ AES-128 encryption for Secure data transmission
- ◆ Programmable data rate and frequency and Wake-on-radio (WOR) mode

**NEWEDGE**

**SERIES**



6+2 Single Speed  
**NE6S**



6+2 Double Speed  
**NE6D**



10+2 Single Speed  
**NE10S**



10+2 Double Speed  
**NE10D**

# Crane Cable Carrier



**SRP-A-1**

Wire Rope Dia 10 mm  
Cable Clamping Dia  
7 mm to 14 mm



**SRP-A-2**

Wire Rope Dia 15 mm  
Cable Clamping Dia  
16 mm to 20 mm



**SRP-A-3**

Wire Rope Dia 15 mm  
Cable Clamping Dia  
7 mm to 14 mm



**SRP-A-4**

Wire Rope Dia 10 mm  
Big Round Cable Dia  
16 mm to 20 mm



**SRP-A-5**

Wire Rope Dia 10 mm  
Cable Clamping Dia  
7 mm to 14 mm



**SRP A-7**

Wire Rope Dia 10 mm  
Round Cable Dia  
6 mm to 12 mm



**SRP A-8**

Wire Rope Dia 15 mm  
Round Cable Dia  
6 mm to 12 mm



**SRP B-1**

Wire Rope Dia 10 mm  
Round Cable Dia  
26 mm



**SRP B-2**

Wire Rope Dia 10 mm  
Big Round Cable Dia  
36 mm



**SRP B-3**

Wire Rope Dia 15 mm  
Round Cable Dia  
26 mm



**SRP B-4**

Wire Rope Dia 15 mm  
Big Round Cable Dia  
36 mm



**SRP B-5**

Wire Rope Dia 10 mm  
Round Cable Dia  
26 mm



**SRP B-6**

Wire Rope Dia 15 mm  
Round Cable Dia  
26 mm

# Crane Cable Carrier



**SRP B-7**

Wire Rope Dia 10 mm

Round Cable Dia  
36 mm



**SRP B-8**

Wire Rope Dia 15 mm

Round Cable Dia  
36 mm



**SRP C-1**

Wire Rope Dia 10 mm

Single Cable Flat  
15 mm to 35 mm



**SRP C-2**

Wire Rope Dia 15 mm

Single Cable Flat  
15 mm to 35 mm



**SRP C-3**

Wire Rope Dia 15 mm

Single Cable Dia  
15 mm to 35 mm



**SRP C-4**

Wire Rope Dia 15 mm

Round Cable Dia  
15 mm to 35 mm



**SRP D-1**

Wire Rope Dia 10 mm

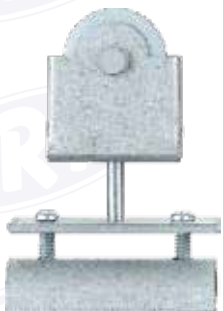
Round Cable Dia  
13 mm to 18 mm



**SRP D-2**

Wire Rope Dia 15 mm

Cable Clamping Dia  
13 mm to 18 mm



**SRP E-1**

Wire Rope Dia 10 mm

Metal Cable Clamping Dia  
15 mm to 33 mm



**SRP E-2**

Wire Rope Dia 10 mm

Cable Flat/Round Dia  
15 mm to 33 mm



**SRP E-3**

Wire Rope Dia 15 mm

Cable Flat/Round Dia  
15 mm to 40 mm



**SRP E-4**

Wire Rope Dia 10 mm

Cable Flat/Round Dia  
15 mm to 40 mm

# Crane Cable Carrier



**SRP F-1**

Wire Rope Dia 10 mm

Metal Cable Clamping Dia  
13 mm to 18 mm



**SRP F-2**

Wire Rope Dia 10 mm

Metal Cable Clamping Dia  
7 mm to 14 mm



**SRP F-3**

Wire Rope Dia 10 mm

Metal Single Cable Flat  
26 mm to 36 mm



**SRP F-4**

Wire Rope Dia 10 mm

Metal Single Cable Flat  
15 mm to 35 mm



**SRP G-1**

Wire Rope Dia 10/15 mm

Cable Hook Dia  
20 mm Maximum



**SRP G-2**

Wire Rope Dia 10 mm

Metal Cable Hook Dia  
20 mm Maximum



**SRP G-3**

Wire Rope Dia 15 mm

Metal Cable Hook Dia  
20 mm Maximum



**SRP G-4**

Wire Rope Dia 10 mm

Metal Cable Hook Dia  
20 mm Maximum



**SRP G-5**

Wire Rope Dia 10 mm

Metal Cable Hook Dia  
20 mm Maximum



**SRP G-6**

Wire Rope Dia 10 mm

Cable Hook Dia  
20 mm Maximum



**SRP G-7**

Wire Rope Dia 10 mm

Metal Cable Hook Dia  
20 mm Maximum



**SRP G-8**

Wire Rope Dia 10 mm

Metal Cable Hook Dia  
20 mm Maximum



# I/T - Beam Cable Trolley

50 mm to 100 mm



**IBM-01-9000**

50-65 mm



**IBM-23-9000**

60-100 mm



**IBM-22-9000**

60-100 mm



**IBM-16-9000**

50-80 mm (PVC Wheel)



**IBM-04F-9000**

50-80 mm



**IBM-03-9000**

50-80 mm



**IBM-03A-9000**

50-80 mm



**IBM-03B-9000**

50-80 mm (PVC Wheel)



**IBM-03C-9000**

50-80 mm



**IBM-03D-9000**

50-80 mm



**IBM-09-9000**

50-80 mm



**IBM-09A-9000**

50-80 mm (PVC Wheel)



**IBM-09B-9000**

50-80 mm



**IBM-09C-9000**

50-80 mm



**IBM-09D-9000**

50-70 mm



**IBM-09E-9000**

50-80 mm (PVC Wheel)

## Lever Limit Switch



Product code	<b>LTLS-AL</b>
Voltage Rating	500 V AC, 50 Hz
Operating temperature	-25 . +80°C (-13 . +176°F)
Current Rating	10 Amps and 40 Amps
Number of Contacts	2 / 3 / 4
Enclosure Protection	IP-54
Mounting Position	Vertical
Cable Entry	¾" Conduit
Thermal Test Current	40 Amps
Mode of Operation	2-way self-resetting

## Gravity / Counter Weight Limit Switch



Product code	<b>GWLS-AL</b>
Body Material	Powder Coated Aluminium Die Cast
Degree of Protection	IP-55
Cable Entry	2 ½" Conduit
Number of Contacts	2 / 3 / 4
Contact Type	Double break silver cadmium
Wire Connection	Screw Terminal
Rated Voltage Insulation	500 V AC
Thermal Test Current	10 / 40 Amps

## Rotary Gear Limit Switch



Product code	<b>RGLS-AL</b>
Body Material	Powder Coated Aluminium Die Cast
Degree of Protection	IP - 55
Gear Ratios	1:48, 1:60
Drive	Worm Drive
Cable Entry	½" Conduit
Rated Voltage Insulation	500 V AC
Thermal Test Current	10 / 40 Amps
Number of Contacts	2, 4, 6 Maximum

## Lever Type Limit Switch



Product code	<b>LTLS</b>
Body Material	Unbreakable ABS/Nylon
Degree of Protection	IP-65
Mounting Position	Foot Mounted / Horizontal
Rated Voltage	500 V AC , 50 Hz
Thermal Test Current	20 Amp
Number of Contacts	2
Mode of Operation	2 way self-resetting

## Cross Bar / Position Limit Switch



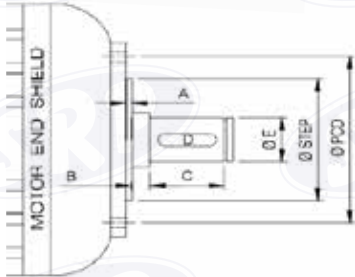
Product Code	<b>GBLS-02</b>	<b>GBLS-04</b>
Type	2-position	4-position
Body Material	Unbreakable ABS / Nylon	
Rotary Gear Speed	12 to 200 RPM	
Operation	90° rotary action for single/dual speed motor control	
Degree of Protection	IP-65	
Mounting Position	Foot Mounted / Horizontal	
Rated Voltage	500 V AC	
Thermal Test Current	20 Amp	
Temperature Range	-25°C to 55°C	

## Rotary Gear Limit Switch



Product code	<b>RGLS</b>
Body Material	Unbreakable ABS / Nylon
Temperature Range	-25°C to 55°C
Drive Type	Worm Gear Drive
Degree of Protection	IP-65
Gear Ratio	1:25, 1:50, 1:100, 1:150, 1:200
Rated Voltage	500 V AC
Thermal Test Current	10 Amps
Number of Contacts	2 & 4

# AC Brake



\*All Dimensions are in mm

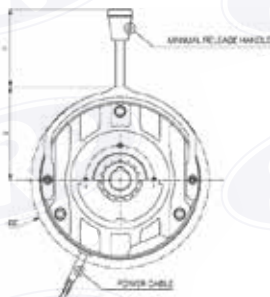
H.P	RPM	FRAME SIZE	BRAKE MODEL	TQ. kg.m.	BRAKE O.D.	A	B	C	D	E Ø	PCD Ø	STEP Ø
0.5	900	80	150	1.1	153	3	1	29	6X3.5	19	100/M8X4	Ø 80
0.75	1400	80	140	0.6	133	2	1	25	6X3.5	19	100/M8X4	Ø 80
1.0	1400	80	150	1.1	153	3	1	29	6X3.5	19	100/M8X4	Ø 80
2.0	1400	90	150X	2.2	153	3	7	45	8X4	24	100/M8X4	Ø 80
3.0	1400	90L	150X	2.2	153	3	7	45	8X4	24	100/M8X4	Ø 80
3.0	1400	100	190	2.5	193	3	1	28	8X4	28	130/M8X4	Ø 110
5.0	1400	100	190X	4.5	193	3	7	45	8X4	28	130/M8X4	Ø 110
5.0	1400	112	190X	4.5	193	3	7	45	8X4	28	130/M8X4	Ø 110
5.0	900	132	235	4.0	235	3	1	28	10X5	38	175/M10X4	Ø 105
7.5	1400	112	190X	4.5	235	3	7	45	8X4	28	130/M8X4	Ø 110
7.5	1400	132	235	4.0	235	3	1	28	10X5	38	175/M10X4	Ø 105
7.5	900	132	235X	6.0	235	3	7	45	10X5	38	175/M10X4	Ø 105
10.0	1400	132	235X	6.0	235	3	7	45	10X5	38	175/M10X4	Ø 105
10.0	900	132	235X	6.0	235	3	7	45	10X5	38	175/M10X4	Ø 105
12.5	1400	132	235X	6.0	235	3	7	45	10X5	38	175/M10X4	Ø 105
12.5	1400	160	290	5.5	275	3	12	28	10X5	42	175/M10X4	Ø 115
12.5	900	160	290X	11	275	3	12	45	12X6	42	175/M10X4	Ø 115
15.0	1400	160	290X	11	275	3	12	45	12X6	42	175/M10X4	Ø 115
20.0	1400	160	290XX	14	275	3	12	60	12X6	42	175/M10X4	Ø 115
25.0	1400	160	290XX	14	275	3	12	60	12X6	42	175/M10X4	Ø 115

# Brake Coil



Small Size (220/440 V) : Use in 140 to 235 Model  
 Big Size (220/440 V) : Use in 290 Model

# DC Brake

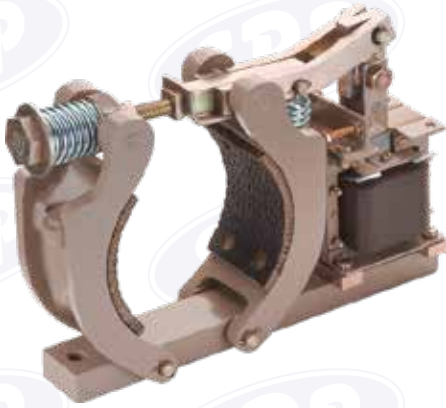


\*All Dimensions are in mm

SIZE	06	08	10	12	14	16	18	20	25	30
TORQUE MX Rat.(Nm)	04	08	16	32	60	100	150	260	400	600
INPUT POWER P20 (W)	20	25	30	40	50	76	85	100	110	140
MAXIMUM SPEED (RPM)	3000	3000	3000	3000	3000	3000	3000	3000	3000	3000
Ø A	87	105	105	150	165	190	217	254	302	302
Ø B	72	90	112	132	145	170	196	230	278	278
Ø C	3 x M4	3 x M5	3 x M6	3 x M6	3 x M8	3 x M8	6 x M8	6 X M10	6 x M10	6 X M10
Ø D	3 X 4.5	3 X 5.5	3 X 6.6	3 X 6.6	3 X 9	3 X 9	4 X 9	6 X 11	6 X 11	6 X 11
Ø E	30	45	56	62	74	84	100	120	150	150
Ø F	3 X 4.5	3 X 5.5	3 X 6.6	3 X 6.6	3 X 9	3 X 9	6 X 9	6 X 9	6 X 11	6 X 11
Ø G	20	30	40	45	55	65	75	90	120	120
L	18	20	20	25	30	30	35	40	50	50
R	6	7	9	9	11	11	11	11	12.5	16
S	36.3	42.8	48.8	54.9	66.3	72.5	83.1	97.6	106.7	120.7
T	MINIMUM	39.5	47	52.5	59	71.5	77.5	89	104.6	134.7
	MAXIMUM	41.5	48.5	56	64.5	77	82.5	98	114	144.7
dH 7	STADARD	10	14	19	24	28	34	42	48	55
	MAXIMUM	11	15	24	28	30	35	48	55	70
AIR GAPE	0.200	0.200	0.200	0.300	0.300	0.300	0.400	0.400	0.500	0.500
X	-	-	-	-	-	-	-	-	-	-
Y	-	-	-	-	-	-	-	-	-	-
Ø Z	-	-	-	-	-	-	-	-	-	-
WEIGHT (Kg)	1.300	2.200	2.750	5.750	8.250	11.720	18.150	27.580	42.560	48.560



# AC Solenoid Brake



Suitable for AC supply up to 440 volts, our AC Solenoid Brakes are available for a wide range of drum sizes from 100 mm to 380 mm diameter.

### Features:

- ◆ Class F insulation of the coil
- ◆ Continuous & intermittent duty operation
- ◆ Long life and low maintenance
- ◆ Ideally suited for Cranes, Hoists, Machines, Valves, Conveyors

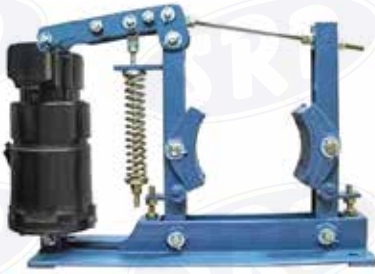
### AC Brakes

- ◆ 4 | 5.5 Inch Dia
- ◆ 7 Inch Dia

### Solenoids

- ◆ Type : SLB-25 mm stroke length
- ◆ Type : SLB-31.4 mm stroke length

# Thruster Brake



Our Thruster Brakes are designed to reliably slow and stop moving machinery with pinpoint accuracy. Engineered for demanding mill duty applications, these brakes operate on 440 Volts, 3 Phase AC supply.

Available in a wide range of drum sizes from 100mm to 600mm diameter, with larger sizes available upon request to meet your specific needs.

Brake Model	Brake Drum Dia mm	Brake Torque		Brake Drum Dia mm	Brake Drum Dia mm	Brake Torque	
		kg-m	N-m			kg-m	N-m
100-18	100	6	60	300-34	300	62	620
150-18	150	9	90	400-46	400	90	900
160-18	160	9	90	400-68	400	110	1100
200-18	200	20	200	500-48	500	190	1900
250-18	250	35	350	500-68	500	290	2900
250-34	250	45	420				

# Electro-Hydraulic Thruster Brake



Electro-Hydraulic Thruster is a device which develops linear thrust required to operate the desired mechanism. The Thrusters are widely used to actuate thruster shoe brakes, commonly used in material handling equipments.

Weight	Rated Thrust (kg)	Output Stroke (S)
18 kg	18	51
34 kg	34	51
46 kg	46	51
68 kg	68	76

# GYM Wheel



Dia - 2.00 Inch  
GWB-02-9000



Dia - 2.75 Inch  
GWB-03-9000



Dia - 3.50 Inch  
GWB-04-9000



Dia - 4.00 Inch  
GWB-05-9000



Dia - 5.00 Inch  
GWB-06-9000

# Rope Wheel



**SQUARE TYPE**

Dia - 2 Inch  
RWF-01-9000



Dia - 2.25 Inch  
RWF-02-9000



Dia - 2.75 Inch  
RWF-03-9000



Dia - 2 Inch  
RWF-04-9000



Dia - 4.00 Inch  
RWF-05-9000

**U TYPE**

Dia - 38 Inch  
RWU-01-9000

Dia - 48 Inch  
RWU-02-9000

Dia - 38 Inch  
RWU-03-9000

Dia - 72 Inch  
RWU-04-9000

Image	Groove	Size / Product Size							
	U Type With Assembly	2x1	SRP-UC-000001	3X1III	SRP-UC-000006	4X1I	SRP-UC-0000011	5x1II	SRP-UC-0000016
		2IIx1	SRP-UC-000002	3x2	SRP-UC-000007	4x1II	SRP-UC-0000012	5x2	SRP-UC-0000017
		3x1	SRP-UC-000003	3x2I	SRP-UC-000008	4x2	SRP-UC-0000013	6x1II	SRP-UC-0000018
		3x1I	SRP-UC-000004	3x2II	SRP-UC-000009	4x2I	SRP-UC-0000014	6x2	SRP-UC-0000019
		3x1II	SRP-UC-000005	4x1	SRP-UC-0000010	4x2II	SRP-UC-0000015		
	Only V with stud	2x1	SRP-US-000001	3x1III	SRP-US-000006	4x1I	SRP-US-0000011	5x1II	SRP-US-0000016
		2IIx1	SRP-US-000002	3x2	SRP-US-000007	4x1II	SRP-US-0000012	5x2	SRP-US-0000017
		3x1	SRP-US-000003	3x2I	SRP-US-000008	4x2	SRP-US-0000013	6x1II	SRP-US-0000018
		3x1I	SRP-US-000004	3x2II	SRP-US-000009	4x2I	SRP-US-0000014	6x2	SRP-US-0000019
		3x1II	SRP-US-000005	4x1	SRP-US-0000010	4x2II	SRP-US-0000015		

Image	Groove	Size / Product Size							
	V Type With Assembly	2x1	SRP-VC-000001	3X1III	SRP-VC-000006	4X1I	SRP-VC-0000011	5x1II	SRP-VC-0000016
		2IIx1	SRP-VC-000002	3x2	SRP-VC-000007	4x1II	SRP-VC-0000012	5x2	SRP-VC-0000017
		3x1	SRP-VC-000003	3x2I	SRP-VC-000008	4x2	SRP-VC-0000013	6x1II	SRP-VC-0000018
		3x1I	SRP-VC-000004	3x2II	SRP-VC-000009	4x2I	SRP-VC-0000014	6x2	SRP-VC-0000019
		3x1II	SRP-VC-000005	4x1	SRP-VC-0000010	4x2II	SRP-VC-0000015		
	Only V with stud	2x1	SRP-VS-000001	3x1III	SRP-VS-000006	4x1I	SRP-VS-0000011	5x1II	SRP-VS-0000016
		2IIx1	SRP-VS-000002	3x2	SRP-VS-000007	4x1II	SRP-VS-0000012	5x2	SRP-VS-0000017
		3x1	SRP-VS-000003	3x2I	SRP-VS-000008	4x2	SRP-VS-0000013	6x1II	SRP-VS-0000018
		3x1I	SRP-VS-000004	3x2II	SRP-VS-000009	4x2I	SRP-VS-0000014	6x2	SRP-VS-0000019
		3x1II	SRP-VS-000005	4x1	SRP-VS-0000010	4x2II	SRP-VS-0000015		

# Wire Rope

SRP-WR



Model No.	SRP-WR
Material	Galvanized Steel
Usage	Overhead Crane
Max Load Capacity	100 ton
Diameter	4mm to 50mm
Minimum Order Quantity	100 meter

# Electromagnet

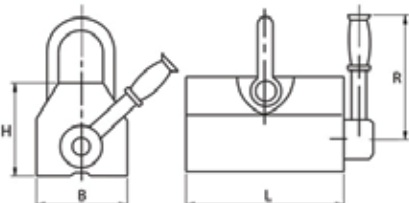
SRP-EM



Our Powerful Electromagnet is a perfect match for your EOT crane. It makes handling steel, scrap metal, and other iron-based materials a breeze. Whether you're dealing with bulky plates or smaller pieces, our electromagnet ensures a safe and secure lift every time. We offer a range of sizes and configurations to perfectly fit your crane and the specific jobs you need to do.

Contact us for more details and to discuss your specific requirementsff

# Lifting Magnet



Type	Rated Lifting weight (kg)	Max pulling power (kg)	Dimension (mm)				Net Weight (kg)
			L	B	H	R	
SRP-LM-100	100	300	135	63	75	160	3
SRP-LM-200	200	600	170	67	80	160	4
SRP-LM-400	400	1200	190	92	94	215	10
SRP-LM-600	600	1800	240	120	115	240	20
SRP-LM-1000	1000	3000	300	136	138	270	35
SRP-LM-2000	2000	5000	390	160	168	368	65
SRP-LM-3000	3000	7500	480	160	168	368	82
SRP-LM-5000	5000	12500	570	230	220	490	200

# Load Cell With Display Unit



Load pin type



Rope Tension type

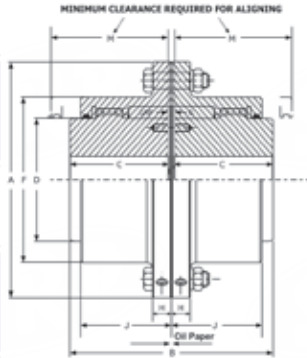


Display Unit



Controller

# Gear Coupler



Part Code	Max R.P.M	Bore Min.	Bore Max.	A	B	C	D	F	G	H	J	M	∠ Degree	±mm
GC-100	8000	14	32	120	93	45	250	75	3	15	40	55	2x 0.75	0.4
GC-101	6300	15	45	170	115	55	60	110	5	17	49	65	2x 0.75	0.5
GC-102	5000	15	60	785	145	70	85	125	5	17	62	80	2x 0.75	0.6
GC-103	4000	20	75	220	175	55	105	150	5	20	78	105	2x 0.75	0.7
GC-104	3350	25	90	250	215	105	130	175	5	20	96	125	2x 0.75	0.8
GC-105	2800	25	110	290	230	110	155	204	10	25	108	140	2x 0.75	0.9
GC-106	2500	40	125	320	260	125	175	235	10	25	118	155	2x 0.75	1.0
GC-107	2100	40	140	350	290	140	205	265	10	125	136	175	2x 0.75	1.1



## Anti-collision device



Material	ABS
Power Supply	24-240 VAC ±10%
Frequency	50/60 Hz
Sensing Distance	0.1 to 5 m
Power/current consumption	<4 VA
Cable spec.	Ø5mm, Emitter: 2-wire, AC/DC power. 5-wire, DC power: 4-wire, 2 m
Peak emission wavelength	940 nm

## Anti-collision device



Model No.	ACD-03	ACD-10
General supply voltage	110/220 v AC	110/220 v AC
Output contact rating	5A / 10A at 110 v	5A / 10A at 110 v
C Sensitivity adjustment	25 to 100%	25 to 100%
Output Contact Rating	5 A at AC110V	5 A at AC110V
Voltage	AC 220V	AC 220V
Frequency	50 Hz	50 Hz
Sensitivity Adjustment	100%	100%
Maximum Sensing Distance	0 - 3 Mtr.	0 - 10 Mtr.

## CRD-Crane Reeling Drum



Our Cable Reeling Drums (CRDs) are carefully designed to make it easy and safe to wind and unwind your cables. This prevents downtime and keeps your work flowing smoothly. Plus, they're built to prevent those messy tangles that can damage cables and put workers at risk.

We offer customizable solutions, allowing you to select the size, material, and mounting that best fits your specific application

## Winch



- ◆ Heavy metal shell to protects internal structure
- ◆ Weight capacity 500 – 100 kg with lock and spring
- ◆ High temperature hardened gears, resistant to abrasion.
- ◆ Anti-slip and wear-resistant rubber handles to reduce hand fatigue.
- ◆ Built-in brake, saving effort and Safe and convenient

# Resistance Box

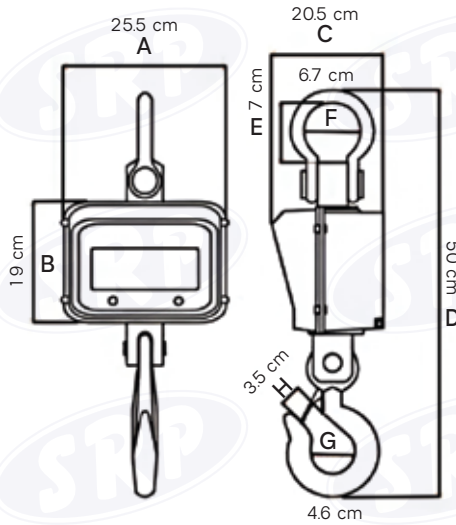


Our Crane Resistance Boxes are available in a comprehensive current range, spanning from 7 to 800 Amps continuous. These robust units utilize stainless steel strips or wires arranged in grid configurations. We also offer complete customization options to meet your specific requirements.

### Features:

- ◆ Decades: 1 Ω, 10 Ω, 100 Ω, 1k Ω, 10k Ω, 100k Ω, 1M Ω, 10 MΩ and 100 MΩ
- ◆ Total Resistance Range: 1 Ω to 1000 MΩ
- ◆ Basic Stability for Decades of 10 Ω to 10 MΩ: 100 PPM

# Electronic Crane Weighting Scale



Standard	According to OIML class III
Display	30 mm (1.2") 5 digits LCD/LED
Zero Range	4% FS.
Tare Range	100% FS.
Stable Time	≤10 seconds
Overload Indication	100% FS. +9e
Max. Safety Load	125% FS.
Ultimate Load	400% FS.
Battery Life	240 hours
Adapter	DC9V/1000mA
Operating Temp.	-10°C~+40°C (14°F~104°F)
Operating Humidity	<85% RH under 20°C
Remote Controller Distance	Min. 15m

Model	Max. Capacity (kg)	Min. Weight (kg)	Division (kg)	Total display counts (n)
SRP-2-SL	2000	20	1	2000
SRP-3-SL	3000	20	1	3000
SRP-5-SL	5000	40	2	2500
SRP-10-SL	10000	100	5	2000
SRP-15-SL	15000	100	5	3000
SRP-20-SL	20000	200	10	2000

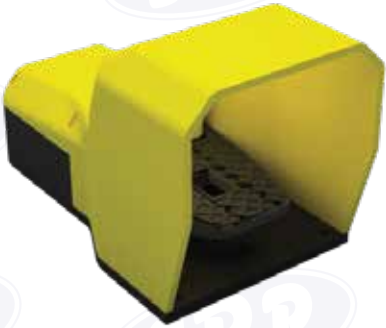
## Master Controller



Body Material	M.S. Sheet
Enclosure	IP-44 / IP-54
Mounting Position	Horizontal / Vertical
Rated Voltage	500 V
Cable Entry	2x20 / 2x26 Conduit
Thermal Test Current	40 Amp
Frequency of Operation	1000 switching per hour
No. of Contacts	24 Maximum
No. of Step	6-0-6 Maximum
Optional Arrangement	Spring Return / Deadman's Handle
Contact Material	Silver Cadmium

## Foot Switch With Cover

SRP-FSC



## Foot Switch

SRP-FS



Material	Unbreakable ABS / Nylon
Degree of Protection	IP-65
Rated Voltage	Ue - 500 V AC (Pollution Class 3)
Rated Thermal Current	10 Amp
Number of Contact	1 to 4 (NO/NC as per your request)
Mechanical & Electrical Life	7 million operations

## VFD Drive



## Overload Limiter



## 3 Phase DSL Indicating Lamp



Product code	DSL-INL
Material	MS CRC Powder Coated
Operation Temperature	20°C to + 85°C
Operating Power	4.5 Watts / Phase
Color	RYB

## Warning Light



Material	ABS / Nylon
Power	140 Watts
Voltage	24-440 AC/DC
Lumens	14,000 lumens
Working Life	50,000 hours
Working Temperature	-40~85°C

## Heavy Duty Projector Light



Lifespan (hours)	40000
Product Weight (kg)	15
Input Voltage (V)	85-265V / 50-60 Hz
Lamp Luminous Flux (lm)	10000~60000
Lamp Luminous Efficiency (lm/w)	100lm/W
Working Temperature (°C)	-30 to 55°C

## Hooter with Siren



Voltage	12-415V AC/DC 24V
Sound output power	16Ω, 20W
Alarm sound level	≤120dB
Light intensity	3000 lux.
Power response time	500ms
Infrared remote control distance	≤ 5m
Environmental temperature	-20 to 60°C



## Safety Light Curtain



- ◆ Compliant with IEC 61496-1
- ◆ Directly works with PLC/ Controller
- ◆ Light weight Aluminum body
- ◆ Rugged & Reliable Design
- ◆ Reverse Polarity Protection
- ◆ Easy to Operate

## Electric Siren



Material	ABS
Dimensions (mm)	315 x 165 x 320
Input Voltage	DC 12-30V / 48-240V AC/DC
Current	1.2 Amps (12V DC)
Power Output	25 Watts (Max)
Impedance	8 Ω
Frequency Response	250-10000 Hz
Range	150-200 Meters
Sound Output	100-110 dB/1W/1m

## Panel Buzzers



Overall Dimensions	96mm x 96mm x 65mm
Weight	250 grams
Audio Output	90-110 dB +/- 5%
Audible Range	100 metres
Current	35 mA (12V DC)
Input Voltage	12/24V DC & 48~240V AC/DC

## Hoist Brake Rectifier



Body Material	Nylon
Dimensions	9 x 64 x 3.8 cm
Input Voltage (AC)	415V
Output Voltage (DC)	190V
Output Current (DC)	2A
Connection Type	Plug & Play
Operating Temperature	-30 to 60°C

# Round Cable



## Range

- ◆ 1.5 SQ MM X 14 CORE
- ◆ 1.5 SQ MM X 4 CORE
- ◆ 2.5 SQ MM X 4 CORE

# Flat Cable



## Range

- ◆ 1.5 SQ MM X 16 CORE
- ◆ 2.5 SQ MM X 4 CORE
- ◆ 1.5 SQ MM X 4 CORE

# Plastic Unbreakable Push Button Unit



**SRP ES-01**

Mushroom Type Emergency Switch  
MES-01



**SRP ES-02**

Flat Type Emergency Switch  
FTE-01



**SRP 09**

Emergency Switch Unit  
MES



**SRP 02**

1 Way with Push Button Unit  
PBU-1W



**SRP 04**

2 Way with Push Button Unit  
PBU-2W



**SRP 06**

3 Way with Push Button Unit  
PBU-3W



**SRP 10**

Indicator Unit  
DSL-INU

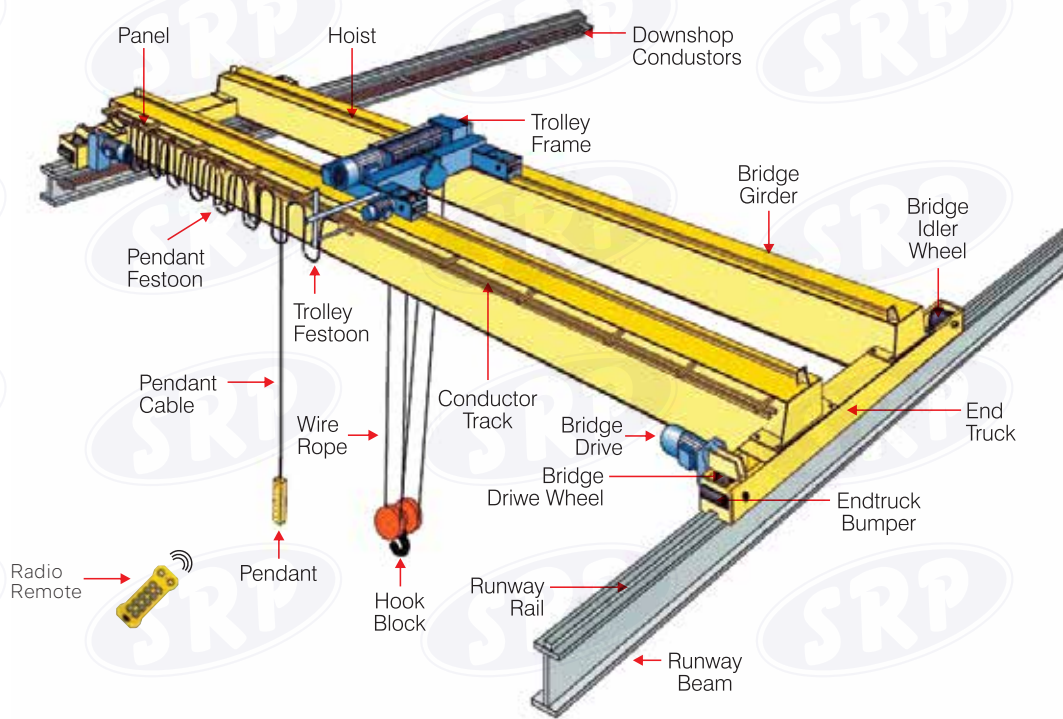


**SRP 11**

Push Button 22.5 mm  
DSL-PBU



# Crane Arrangement Diagram



## Global Presence



All of our Product are Manufactured in **India**

# Our Valuable Clients

## Manufacturing Industries



## Metals Industries



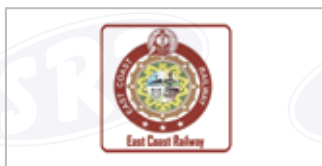
## Energy Industries



## Automotive Industries



## Infrastructure & Construction



## Aerospace & Defense





**SRP CRANE CONTROLS (INDIA) PVT. LTD.**

## **SRP CRANE CONTROLS (INDIA) PVT. LTD.**

Survey no : 202, National highway 27, Jaydev Industrial Estate, Plot no 39,  
Opp. Inova Cast, Essen Road , Veraval(Shapar), Rajkot – 360024 , Gujarat

+91 82009 59593 | +91 99988 17013

[www.srpcranecontrols.in](http://www.srpcranecontrols.in) | [www.srpremote.com](http://www.srpremote.com) | [sales@srpcranecontrols.com](mailto:sales@srpcranecontrols.com)

### **AHMEDABAD**

Shed 8, Unique Industrial Park,  
Overbridge Vatva, GIDC Road,  
Ahmedabad-382449.

[amd@srpcranecontrols.com](mailto:amd@srpcranecontrols.com)  
+91 98799 98013

### **DELHI**

EG223, Sanjay Gandhi  
Transport Nagar, Badli  
Samaypur, Delhi-110042.

[ranjeet@srpcranecontrols.com](mailto:ranjeet@srpcranecontrols.com)  
+91 98799 19013

### **BENGALORE**

Ground Floor Flat No. :1,  
Nelagadaranahalli, Kariobanahalli  
Bengaluru Urban-560073.

[blr@srpcranecontrols.com](mailto:blr@srpcranecontrols.com)  
+91 98799 93013

### **PUNE**

GAT NUMBER : 607, Murhe Vasti,  
Moi road, Kuruli, Tehsil-Khed,  
Pune-410505.

[Chetan@srpcranecontrols.com](mailto:Chetan@srpcranecontrols.com)  
+91 99988 47613